

Openpath Smart Hub

4 Door Controller

The Openpath Smart Hub is an access control unit that supports up to four entries and up to eight readers (four Openpath Smart Readers and four Wiegand readers). The Smart Hub securely makes all entry decisions and includes ports for Openpath Smart Readers, Wiegand Readers, Request to Exit inputs, and Contact Sensors. The Smart Hub uses RS-485 wiring to connect to the Smart Readers and is powered by a built-in power supply.

Features

- Internet connectivity to the Openpath access control cloud for system management and communication
- Stores all cloud configurations locally in order to remain fully functional in the event of an Internet outage
- Uses industry standard RS-485 signaling to communicate with Openpath and/or standard Wiegand door readers over traditional Wiegand wiring
- Includes port interfaces for 4 Openpath Readers, 4 Wiegand Readers, 4 Request to Exit (REX) inputs, and 4 Contact Sensors
- Includes removable contact terminal blocks for convenient wiring Ships with LifeSafety Power enclosure for security and easy wall mounting
- Lifetime warranty
- Offered as two separate SKUs:
 - Controller with 12VDC Power Supply
(Power for Smart Hub and up to 4 readers & 4 doors)
OP-4ESH-12V
 - Controller with 12VDC and 24VDC Power Supply
(Power for Smart Hub and up to 4 readers & 4 doors at 12VDC or 24VDC)
OP-4ESH-24V



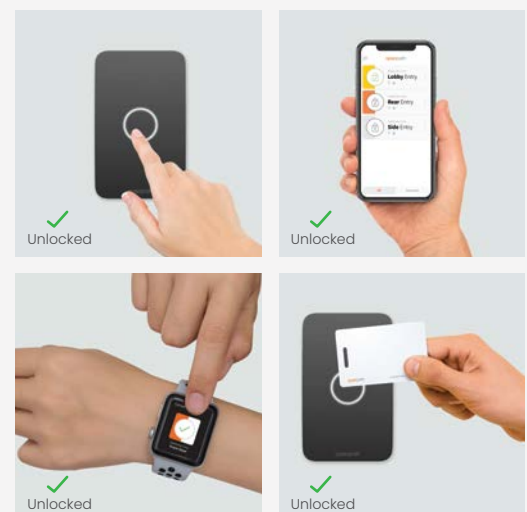
Specifications

- Operating Voltage: 10-14VDC
- Operating Current: 2000 mA MAX (with 4 Openpath Readers), 1000 mA (with no Openpath Readers)
- Relays: 4 relays, 24VDC, 5 Amp (resistive)
- Openpath Readers: Up to 4 Openpath Readers
- Wiegand Readers: Up to 4 Wiegand Readers
- REX Sensors: 4 REX Sensors, nominal 5VDC, 1kohm to each input (resistors built into ACU)
- Contact Sensors: 4 Contact Sensors, nominal 5VDC, 1kohm to each input (resistors built into ACU)
- Wall mountable locking enclosure: 14" H, 12" W, 4.5" D
- Weight: Approx 10 lbs
- Operating Temperature: 0° to 50°C (32° to 122°F)
- Operating Humidity: 5% to 85% relative, non-condensing
- Communication Ports: 10/100 baseT Ethernet, USB port
- Backup Battery: Use two 12VDC sealed lead acid (SLA) or gel cell batteries in series
- Compliance: FCC, UL 294

Openpath Access

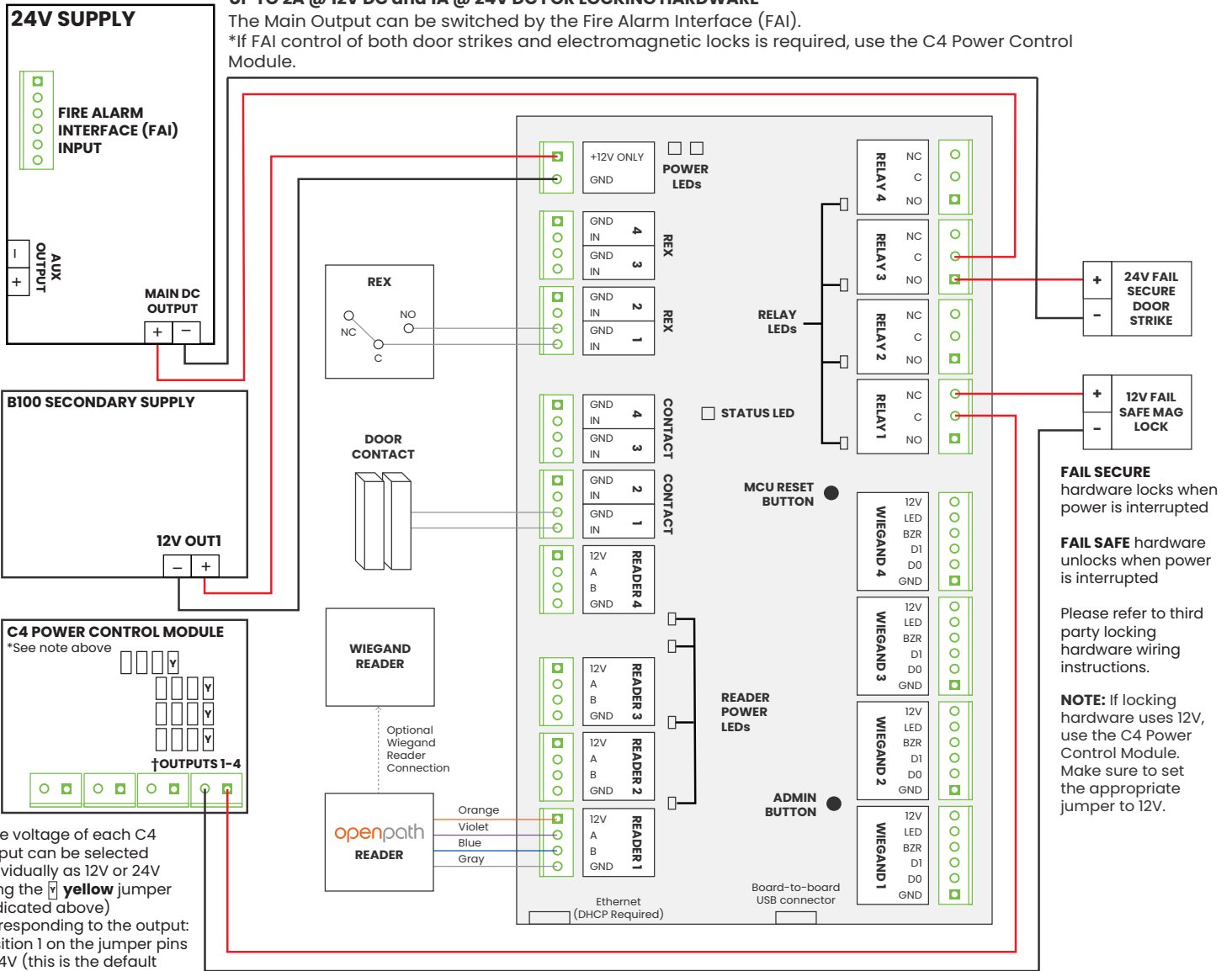
Openpath creates smart security solutions for the modern office. The company's flagship product, Openpath Access, combines sleek hardware with an app, enabling employees to enter the office using their smartphone. Unlike legacy systems, Openpath's software is cloud-based, meaning Access easily scales with your business and seamlessly integrates with platforms like GSuite and Office365.

Openpath's patented SurePath Mobile technology ensures reliability and quick entry via Bluetooth, Wi-Fi and LTE. With encryption at every level and powerful, user-level permissions, Openpath Access is both more secure and more dynamic than traditional access control systems. Openpath Access' streamlined, customizable features make office management easier than ever.



UP TO 2A @ 12V DC and 1A @ 24V DC FOR LOCKING HARDWARE

The Main Output can be switched by the Fire Alarm Interface (FAI).
*If FAI control of both door strikes and electromagentic locks is required, use the C4 Power Control Module.



†The voltage of each C4 output can be selected individually as 12V or 24V using the yellow jumper (indicated above) corresponding to the output: position 1 on the jumper pins is 24V (this is the default setting) and position 2 is 12V.

