



access control for the modern workplace

OP-RHF-STD, OP-RLF-STD
OP-RHF-MULB, OP-RLF-MULB
Standard and Mullion Smart Readers

Openpath Smart Readers

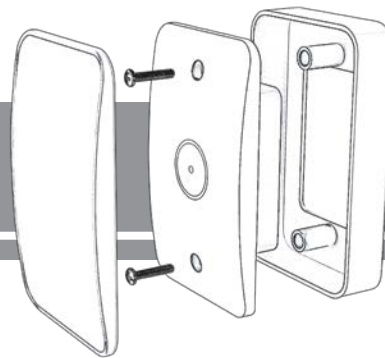
The Openpath door reader leverages industry leading security combined with an elegant design that will enhance any door and office environment. Now offered in both high frequency (HF) and low frequency (LF) options, the Openpath reader fits your specific needs. The standard reader can be flush mount inside a single gang box, providing a slim profile, while the mullion form is ideal for surface mounting where space is limited, like on a doorframe.



Flush mounted in gang box*



Surface mounted on the wall



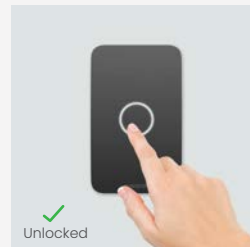
Surface mounted with casing and snap cover exposed

*standard reader installation ONLY

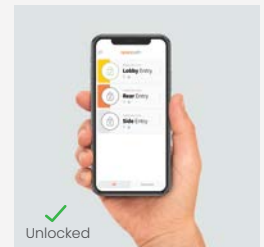
Openpath Access

Openpath creates smart security solutions for the modern office. The company's flagship product, Openpath Access, combines sleek hardware with an app, enabling employees to enter the office using their smartphone. Unlike legacy systems, Openpath's software is cloud-based, meaning Access easily scales with your business and seamlessly integrates with platforms like GSuite and Office365.

Openpath's patented SurePath Mobile technology ensures reliability and quick entry via Bluetooth, Wi-Fi and LTE. With encryption at every level and powerful, user-level permissions, Openpath Access is both more secure and more dynamic than traditional access control systems. Openpath Access' streamlined, customizable features make office management easier than ever.



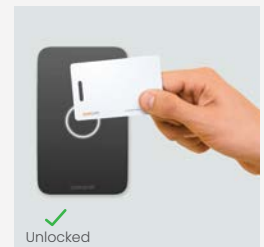
Unlocked



Unlocked



Unlocked



Unlocked

OP-RHF-STD, OP-RLF-STD
 OP-RHF-MULB, OP-RLF-MULB
 Standard and Mullion Smart Readers



HF Door Reader

Card Compatibility

- Openpath DESfire EV1
- MIFARE Classic/DESFire/Ultralight (ISO14443A) CSN

LF Door Reader

Card Compatibility

- Openpath Proximity
- HID® Proximity
- LenelProx®

| | HF Reader | LF Reader |
|-----------------------|-------------------|-------------------|
| Cloud Managed | Yes | Yes |
| Form | Standard, Mullion | Standard, Mullion |
| Color | Black, White* | Black, White* |
| Frequency | 13.56 MHz | 125 kHz |
| Openpath Bluetooth | Yes | Yes |
| NFC | Yes | No |
| Touch to Unlock | Yes | Yes |
| Auto Proximity Unlock | Yes | Yes |
| Openpath Proximity | No | Yes |
| HID® Prox | No | Yes |
| LenelProx® | No | Yes |
| Openpath DESFire EV1 | Yes | No |
| MIFARE/DESFire (CSN) | Yes | No |
| Standards | ISO 14443A | Prox |
| Certification | FCC, UL 294 | FCC, UL 294 |
| Environmental | IP65 | IP65 |

*White only available for Standard Smart Readers

Features

- Snap-on faceplate (standard reader only)
- Modern design, can seamlessly blend into or upgrade the aesthetics of any entry
- Indoor/outdoor design
- Supports auxiliary Wiegand readers connected through the Openpath reader
- Functions seamlessly with the mobile application
- Available on both Android and iOS
- Integrates with Smart Watches in addition to the mobile app
- Supports remote unlocking with user-level privileges
- Lifetime warranty

Installation

- Easy installation via RS-485 wiring, compatible with legacy Wiegand wiring, to the Openpath Smart Hub access control unit (ACU). Wiring details:

| PIGTAIL color | Name (short) | Name (full) | |
|---------------|--------------|-----------------|---|
| Gray | GND | Ground (RTN) | Primary ACU Connections |
| Blue | +B | RS485-B | |
| Violet | -A | RS485-A | |
| Orange | VIN | +12V IN | |
| Red | VO | Wiegand Voltage | Connections to Auxiliary Wiegand Reader |
| Black | GND | Wiegand RTN | |
| Green | WD0 | Wiegand Data 0 | |
| White | WD1 | Wiegand Data 1 | |
| Brown | LED | Wiegand LED | |
| Yellow | BUZZER | Wiegand Buzzer | |

Temperature should not exceed -30°C to 60°C (-22°F to 140°F)

Security

- Fully encrypted communication between mobile app and ACU
- Fully encrypted communication between Openpath key cards and reader
- Eliminates the threat of copying or cloning Openpath key cards

System Compatibility

- Reader works exclusively with Openpath Access System including Openpath Smart Hub, Cloud Management Software and Mobile App
- Reader works with legacy access control systems via Mobile Plus option

Standard Reader Dimensions

- 7.4 x 12.0 x 2.3 cm (with back cover, no gang box)
- 7.4 x 12.0 x 1.1 cm (no back cover, electronics inside single gang box)

Mullion Reader Dimensions

- 4.3 x 11.9 x 2.2 cm

